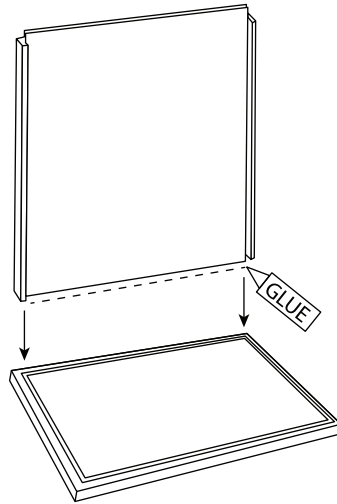


# ASSEMBLY INSTRUCTIONS FOR SMALL DISPLAY BOX #9044

## Step 1:

Use a fast setting glue or good thick white glue that dries clear.

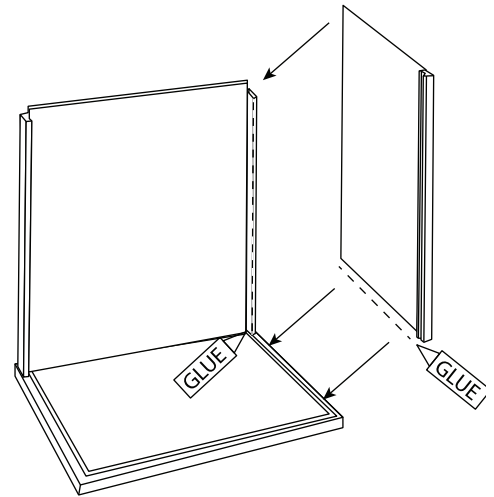
Apply glue along the bottom edge of the back wall and slide it into the channel in the back of the base.



## Step 2:

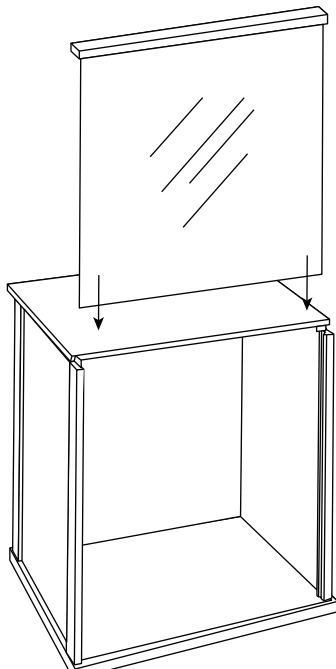
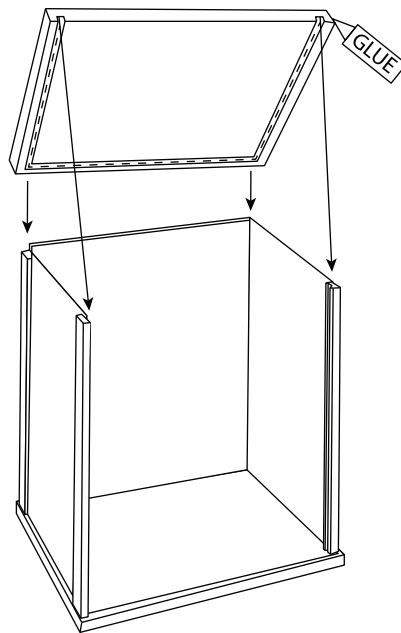
Apply glue inside the corner moulding on the back wall and along the bottom edge of a side wall and slide it into the channel in the side of the base.

Repeat on the other side.



## Step 3:

Apply glue inside the channels in the top and fit onto the top of the box. Or, you may choose to leave the top unglued to allow access.

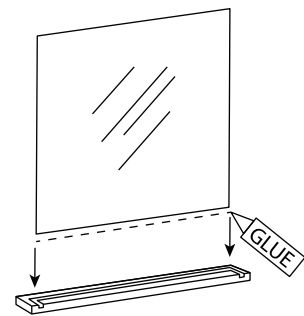


## Step 5:

Slide the pane into the grooves in the front mouldings. DO NOT glue. This panel allows access from the front.

## Step 4:

Remove the protective backing from the acrylic pane. Apply a thin line of glue along the bottom edge only and position the pane in the center of the channel at the back of the frame trim. Hold pane upright until the glue sets.



2388 Pleasantdale Road  
Atlanta, GA 30340  
800-926-6464